



Go Electric

SUPERIOR SITE CONTROL WITH LYNC DR[®] ESS

ENERGY STORAGE SYSTEM
WITH UNINTERRUPTIBLE
POWER &
MICROGRID CONTROL

**August
2017**

THE PROBLEM



**Annual Cost of Outages
\$80 Billion**

**Increasing Penetration of
Renewables**

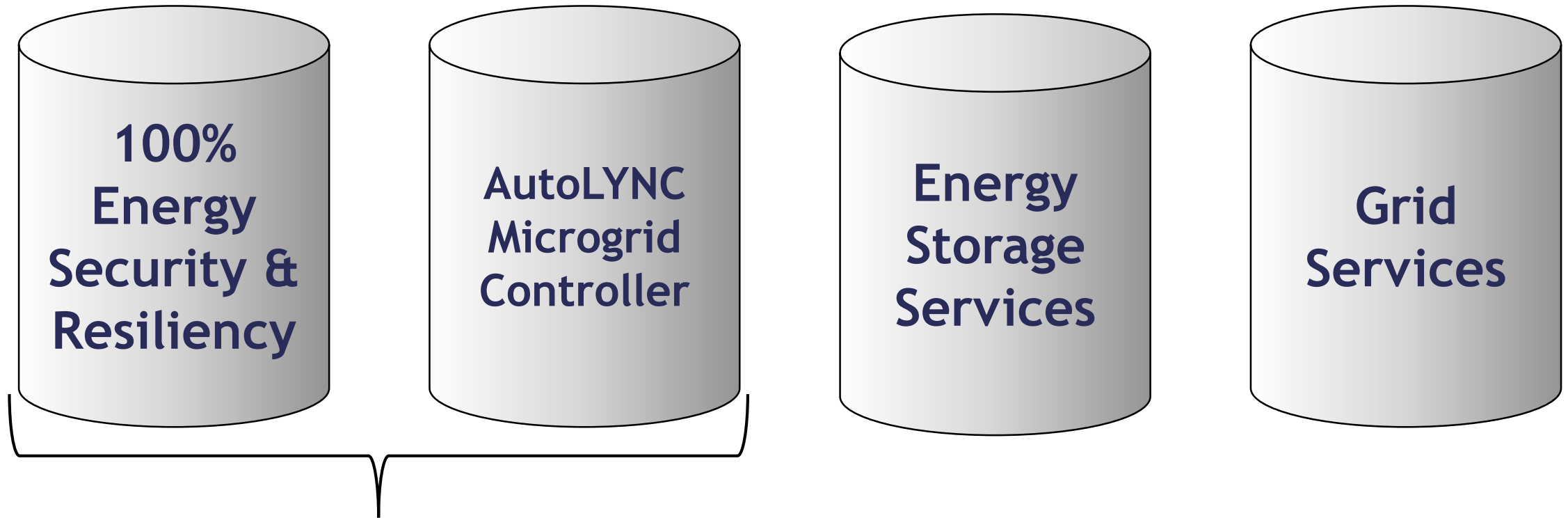
Aging Infrastructure

GO ELECTRIC'S SOLUTION: LYNC DR

- LYNC DR delivers uninterruptible power, microgrid control, energy efficiency, and demand response in a turnkey solution
- LYNC DR includes:
 - Power electronics and power conversion
 - Patented AutoLYNC[®] microgrid controller
 - Utility Portal
 - Battery Energy Storage (self-contained)



LYNC DR VALUE PROPOSITIONS

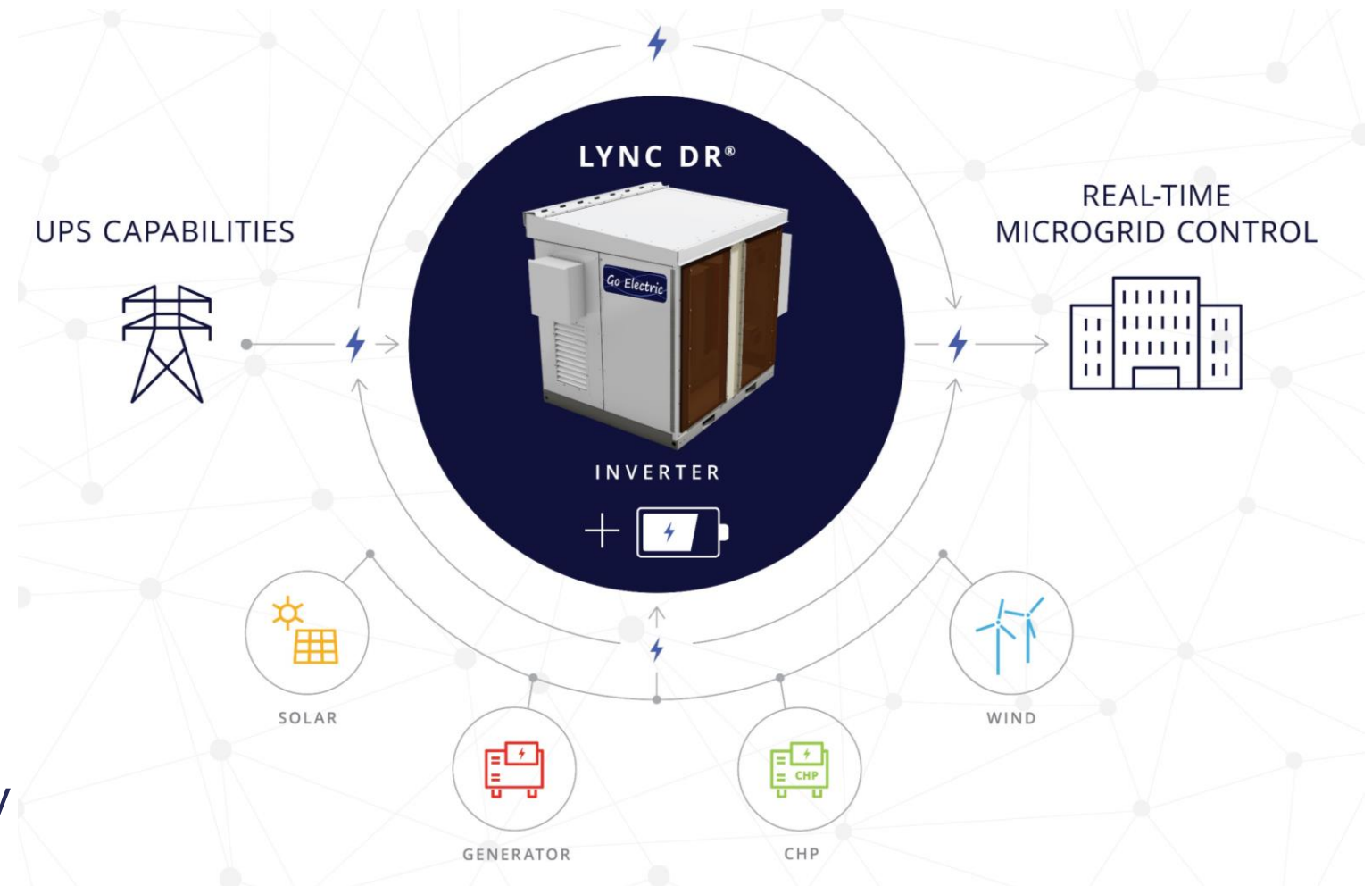


Go Electric Differentiators

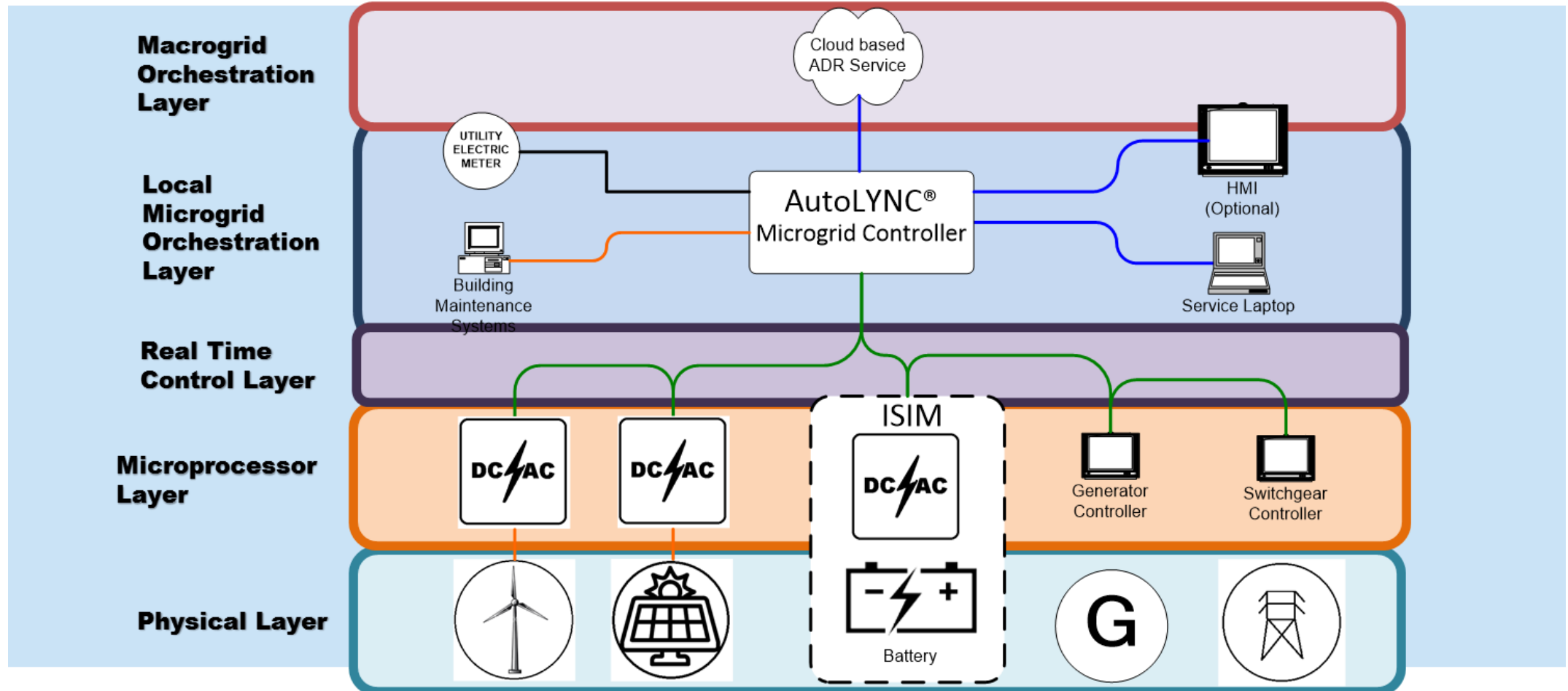
100% ENERGY SECURITY & RESILIENCY

LYNC DR integrates any DER into a resilient and secure microgrid

- Seamless, sub-cycle islanding
- Instant commutation of any DER



AUTOLYNC MICROGRID CONTROLLER: MULTI-LAYER ARCHITECTURE



ENERGY STORAGE SERVICES

- Peak shaving/demand charge reduction
- Power factor correction
- Increase generator efficiency by up to 70% through lower fuel costs and O&M expenses
 - Reduce size of generator 50%
 - Batteries variable load – generator base load



GRID SERVICES

- Demand Response
Curtailment
 - Regulating and
Synchronized Reserves
- Frequency Regulation
- Voltage Regulation




COMPANY BACKGROUND

- Post Series-A Cleantech Company
- Currently 22 Employees in Three US Offices
- **Leadership:**
 - Lisa Laughner, Founder, President and CEO
 - Tony Soverns, CTO
 - Alex Creviston, Chief Engineer
- **Mission:** Ensure Energy Resiliency and Accelerate Renewable Energy Adoption
- **Patented AutoLYNC® Technology:**
 - Control to take an inverter from grid parallel to grid islanded and back without interruption



Anderson, Indiana
HQ Office, Manufacturing,
&
Test facility



Honolulu, HI
Office co-located
with
eNergy
EXCELerator



Brooklyn, NY
Office co-located
with
ACFE

COMPETITIVE ADVANTAGES

Battery Energy Storage



- Deliver Uninterruptible Power
- Built-in Microgrid Controller

Uninterruptible Power Source (UPS)



- Lowers Energy Costs
- Earns Income

100% ENERGY RESILIENCY

- 2014: SPIDER Phase III Microgrid contract, HI Energy Excelerator



- 2015: RISE NYC awardee, Wells Fargo Innovation Incubator IN2



- 2016: Closed \$4mm Series A, Urban Future Lab/ACRE Joules Catalyst Program, HECO DR finalist



- 2017: HECO DR Pilot, Ft. Custer Microgrid

- Other achievements



Go Electric CPARS

Evaluation Areas

Evaluation Areas	Rating
Quality:	Exceptional
Schedule:	Exceptional
Cost Control:	Exceptional
Management:	Exceptional

FOR OFFICIAL USE ONLY



Go Electric

THANK YOU

Steven Lichtin

Director of Business Development

slichtin@goelectricinc.com

(646) 706-1589